



Standard Preparation 1200 mm Wall Cupboard with 2 Sliding Doors

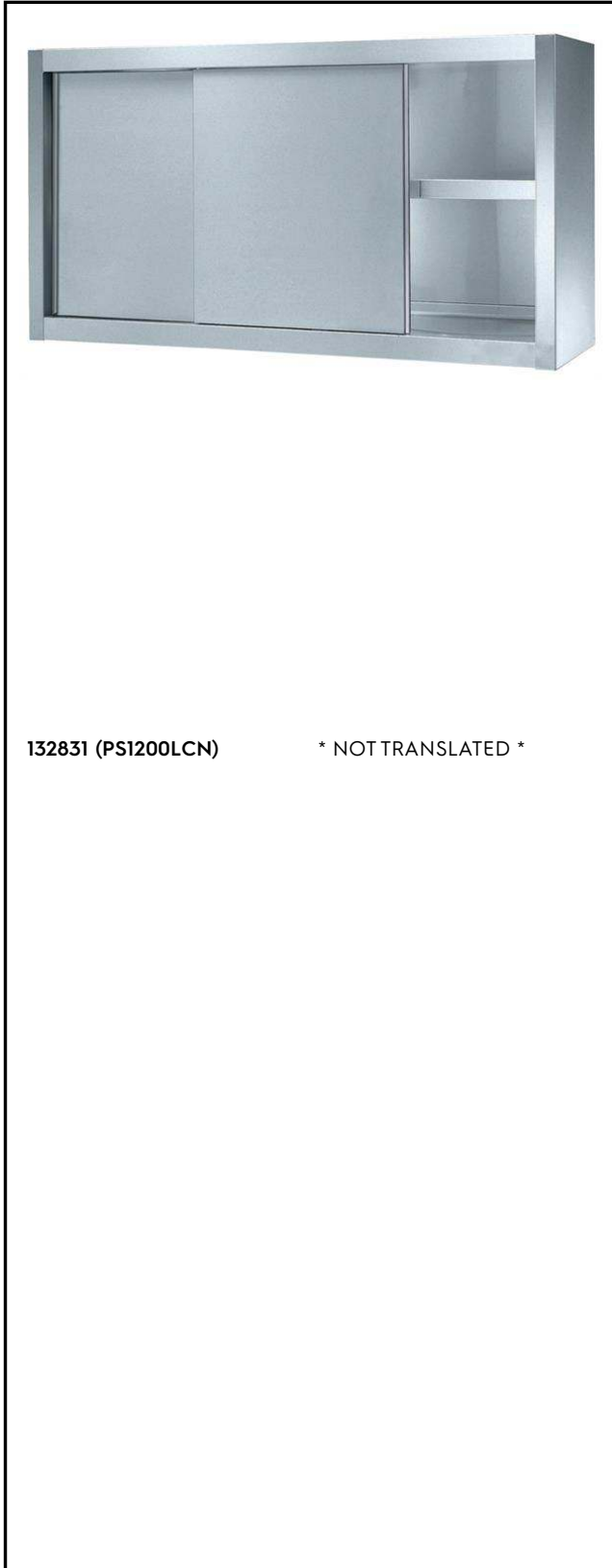
ITEM # _____

MODEL # _____

NAME # _____

SIS # _____

AIA # _____



132831 (PS1200LCN)

* NOT TRANSLATED *

Main Features

- Handles in stainless steel for better hygiene and reliability.
- Sturdiness, stability and reliability of table accurately tested.

Construction

- Wall cupboard features an ergonomic handle and an internal shelf which can be positioned at three different levels.
- Easy access to the cupboard interior on all lengths guaranteed by the use of only 2 doors.
- Two double-walled sliding doors flush fitting to the front of the frame can easily be removed without the use of tools to facilitate cleaning of the cupboard interior.
- Sturdy sound-deadened sliding doors on tracks located flush to the front of the frame.
- 100 mm upstand with 10 mm radiused corner and 13 mm deep.
- Scotch Brite finish to meet the highest hygiene standards.

Optional Accessories

- - NOT TRANSLATED - PNC 850709
- - NOT TRANSLATED - PNC 850710

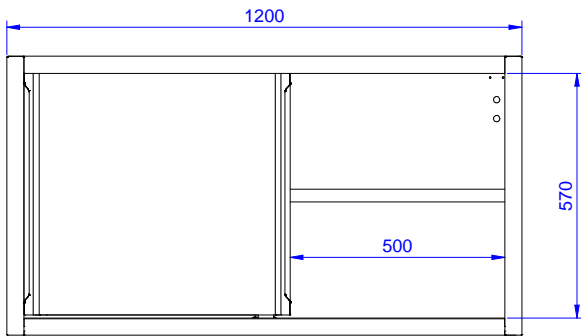
APPROVAL: _____



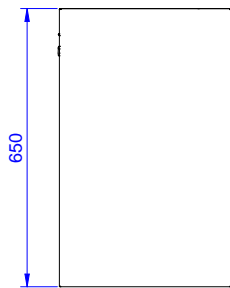
Key Information:

N° of doors:	2
132831 (PS1200LCN)	
External dimensions, Width:	1200 mm
External dimensions, Depth:	400 mm
External dimensions, Height:	650 mm

Front



Side



Top

